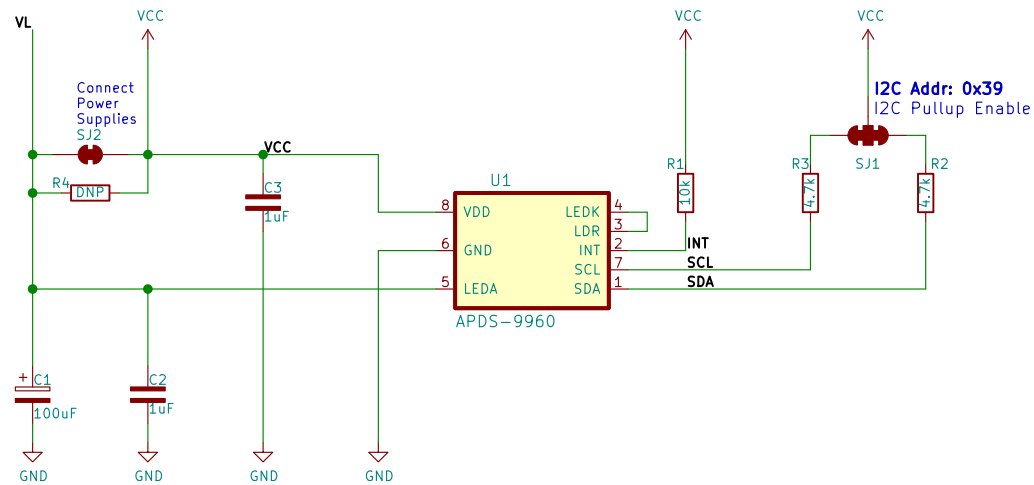
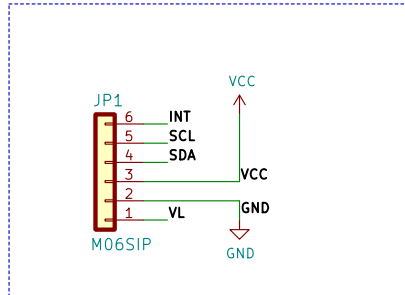
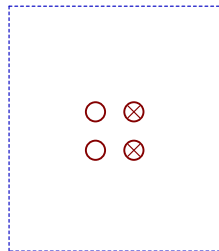


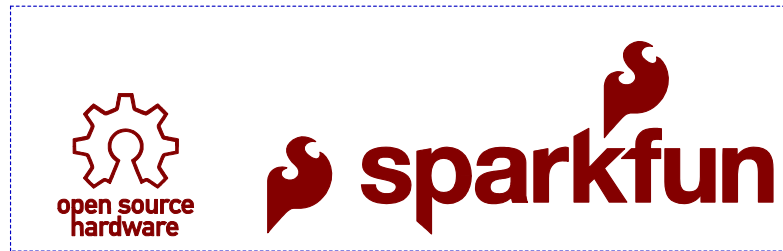
HEADER



MECH



LOGOS



Released under the Creative Commons Attribution Share-Alike 4.0 License
<https://creativecommons.org/licenses/by-sa/4.0>

Sparkfun

Sheet: /

File: SparkFun_APDS-9960_RGB_and_Gesture_Sensor.sch

Title: Sparkfun APDS-9960 RGB and Gesture Sensor

Size: A4

Date: 2020-12-17

Rev: v10

KiCad E.D.A. kicad 5.1.8-d8983349188ubuntu20.04.1

Id: 1/1